

# SKG / SKG-A / SKM

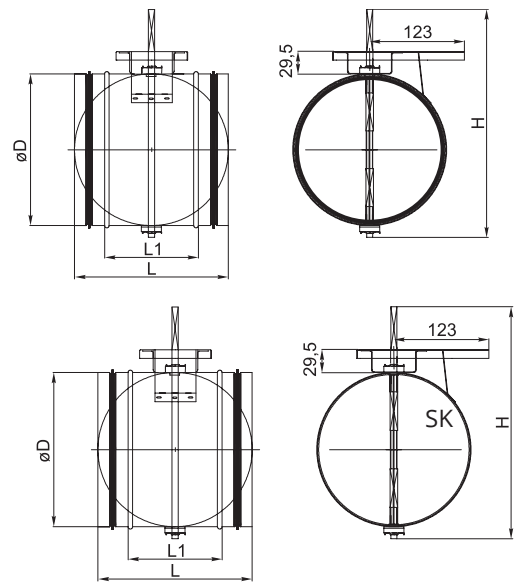
## Shut-off dampers



SKG/SKG-A



SKM



Title	Article No.
SKG 450	GSKSKG009
SKG 500	GSKSKG010
SKG 630	GSKSKG011
SKG-A 100	GSKSKG027
SKG-A 125	GSKSKG028
SKG-A 150	GSKSKG029
SKG-A 160	GSKSKG030
SKG-A 180	GSKSKG031
SKG-A 200	GSKSKG032
SKG-A 250	GSKSKG033
SKG-A 300	GSKSKG034
SKG-A 315	GSKSKG035
SKG-A 355	GSKSKG036
SKG-A 400	GSKSKG037

Title	Article No.
SKM 100	GSKSKM001
SKM 125	GSKSKM002
SKM 160	GSKSKM003
SKM 200	GSKSKM004
SKM 250	GSKSKM005
SKM 315	GSKSKM006
SKM 355	GSKSKM022
SKM 400	GSKSKM007
SKM 450	GSKSKM008
SKM 500	GSKSKM009
SKM 630	GSKSKM010

Shut-off dampers SKG/SKG-A/SKM are used for shutting off and controlling airflow. They are easily installed in a circular air duct system. Can be mounted in any position. The casing is made of galvanized steel. Have a rotating, cut-off blade. The blade can be continually adjusted in a 0-90° angle by a motor on the top of damper. The blade of SKG/SKG-A dampers has rubber seal that tightens the inside of the damper when it's in closed position. SKG/SKG-A/SKM shut-off damper is controlled by a motor which is supplied separately.

### Dimensions

Type	øD, [mm]	L1, [mm]	L, [mm]	H, [mm]
SKG 450	449	140	240	580
SKG 500	499	140	240	630
SKG 630	629	140	240	760
SKG-A 100	99	100	200	230
SKG-A 125	124	100	200	255
SKG-A 150	159	115	185	280
SKG-A 160	159	100	200	290
SKG-A 180	159	100	200	290
SKG-A 200	199	100	200	330
SKG-A 250	500	140	240	565
SKG-A 300	630	140	240	695
SKG-A 315	249	100	200	380
SKG-A 355	354	140	240	485
SKG-A 400	399	140	240	535

Type	øD, [mm]	L1, [mm]	L, [mm]	H, [mm]
SKM 100	99	100	200	230
SKM 125	125	100	200	255
SKM 160	160	100	200	290
SKM 200	200	100	200	330
SKM 250	250	100	200	380
SKM 315	315	140	240	445
SKM 355	355	140	240	485
SKM 400	400	140	240	535
SKM 450	450	140	240	580
SKM 500	500	140	240	630
SKM 630	630	140	240	760