

## VENTS CF Series



Centrifugal fans for exhaust ventilation with the capacity up to 122 m<sup>3</sup>/h

### Applications

- Continuous or periodic exhaust ventilation of bathroom, showers, kitchens and other utility spaces.
- Ventilation shaft mounting or duct connection.
- Designed for high-resistance ventilation duct systems.
- Compatible with Ø 100 mm air ducts.

### Design

- Modern design and aesthetic look.
- The casing and the impeller are made of high-quality durable ABS plastic, UV resistant.
- The easy to use removable grille with a filter element protects the fan internal components against grease and dust penetration and makes it suitable for kitchen exhaust ventilation.
- The basic CF fan modification includes a dust filter. Aluminium grease filter configurations are also available (CFA model).
- The centrifugal fan impeller has forward-curved blades for high pressure and low noise levels.
- The centrifugal fan impeller has forward-curved blades for high pressure and low noise levels.
- Protection rating IP 24.

### Motor

- Reliable and low-watt single-phase electric motor.
- The basic motor modification includes plain bearings.
- The „turbo“ modification includes the motor equipped with ball bearings mounted on specially designed vibration dampers.
- Designed for continuous operation and requires no maintenance.
- Equipped with overheating protection.

### Modifications and Options

CFA – fan with an aluminium grease filter.



**CF 100 turbo** – high-powered motor. The motor is equipped with ball bearings for long service life (appr. 40 thousand hours) and mounted on specially designed vibration mounting. The bearings are maintenance-free and contain enough grease for the entire operating period.



**CF 100 T** – equipped with a regulated timer with the operating time from 2 to 30 minutes.



**CF 100 TH** – equipped with a timer with the operating time from 2 to 30 minutes and a humidity sensor with the threshold value from 60 to 90%.



**CF 100 V** – equipped with a pull cord switch.



**CF 100 VT** – equipped with a pull cord switch and a regulated timer with the operating time adjustable from 2 to 30 minutes.



**CF 100 VTH** – equipped with a pull cord switch, regulated timer with the operating time adjustable from 2 to 30 minutes and a humidity sensor with the operating threshold range from 60% to 90%.



**CF 100 TP** – equipped with a regulated timer and a motion sensor with the sensitivity area from 1 to 4 m and the detection angle up to 100°.



**CF 100 12** – modification with low-voltage motor. 12 V AC power supply.

### Control

#### Manual:

- The fan is controlled by a room light switch. It is not included in the delivery package.
- The fan is controlled by the built-in pull cord switch **V**. Not applied in case of ceiling mounting.
- Speed control is possible through a thyristor speed controller (see Electrical Accessories). Several fans may connected to the same controller. Speed controllers can not be connected to the fans with T, TH, TP, VT, VTH modification.

#### Automatic:

- By the electronic control unit **BU-1-60** (see Electrical Accessories). The control unit is supplied separately.

### Mounting features

- Suitable for external or built-in mounting.
- Flexible duct application is recommended in case of remote location of the ventilation shaft. The air duct is connected to the fan exhaust flange through a clamp.
- Fixed to wall by self-tapping screws or fixing brackets.
- Suitable for ceiling mounting.
- For 12 V low-voltage motor fan connection to 220 V / 50 Hz power mains use the step-down transformer TRF 220/12-25 that is available upon separate order.

### Accessories

Air ducts



Grilles and hoods



Speed controllers



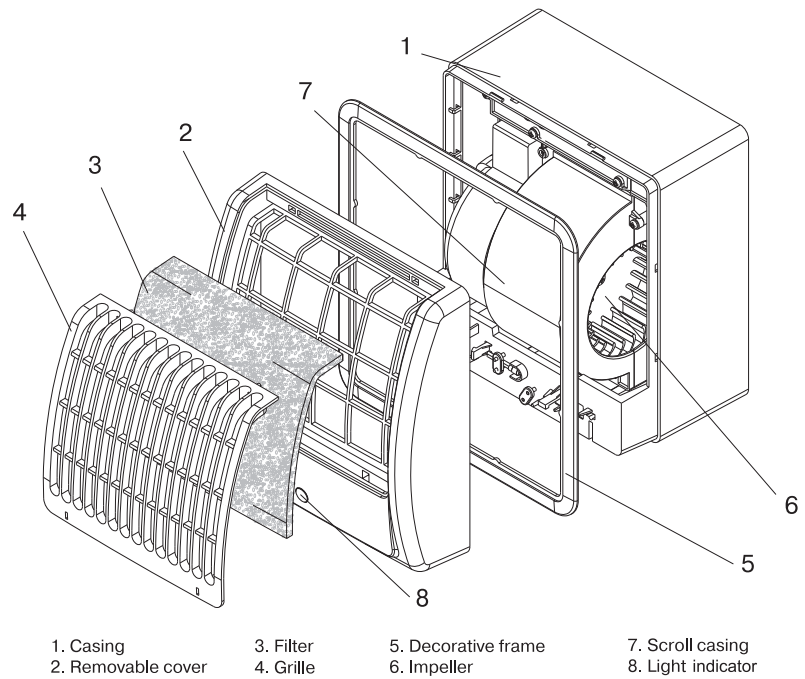
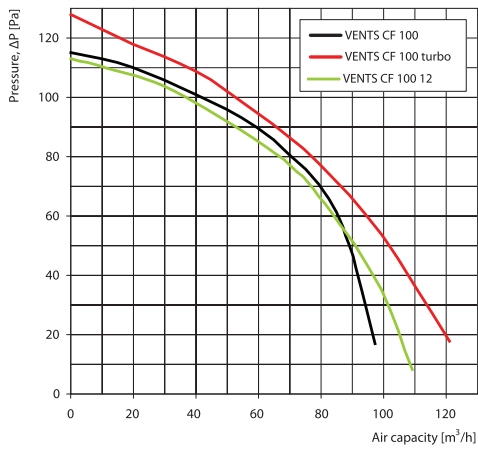
Clamps



Replaceable filters



### Aerodynamic characteristics



### Technical data

Model	Voltage [V] at 50 Hz	Power Consumption [W]	Current [A]	r.p.m.	Maximum air capacity [m <sup>3</sup> /h]	Sound Pressure Level at 3 m [dB(A)]	Weight [kg]
VENTS CF 100	220-240	16	0,12	2250	98	36	1,20
VENTS CF 100 turbo	220-240	29	0,170	2500	122	38	1,30
VENTS CF 100 12	12	24	3,00	2300	110	37	1,2

### Mounting examples

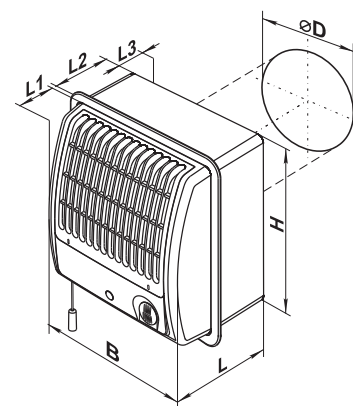


Wall surface mounting

Wall flush mounting

### Overall dimensions

Model	Dimensions [mm]						
	∅D	B	H	L	L1	L2	L3
VENTS CF 100	100	180	195	132	59	73	26



### Certificates

The fans meet the applicable safety and electromagnetic compatibility standards.