

# Domekt R 600 H C6M

Maximal air flow, m <sup>3</sup> /h	673
Maximal air flow, l/s	187
Unit weight, kg	80
Supply voltage, V	1~230
Maximal operating current, A	HE7,3
Thermal efficiency of heat recovery, %	82
Reference flow rate, m <sup>3</sup> /s	0,131
Reference pressure difference, Pa	50
SPI, W/(m <sup>3</sup> /h)	0,25
Filters dimensions BxHxL, mm	475x235x46
Electric power input of the fan drive at reference flow rate, W	62
Electric power input of the fan drive at maximum flow rate, W	155
Electric air heater capacity, kW / Δt, °C	1 / 5,9
Maintenance space, mm	1100
Control system	C6M



## Acoustic data

A-weighted sound power level  $L_{WA}$ , dB(A) at reference flow rate

Supply inlet	56
Supply outlet	66
Exhaust inlet	56
Exhaust outlet	66
Casing	44

A-weighted sound pressure level  $L_{pA}$ , dB(A)

10 m<sup>2</sup> normally isolated room, distance from casing – 3 m.

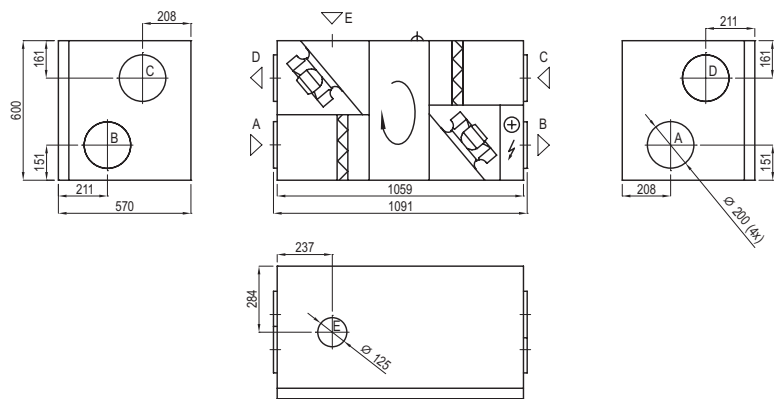
Surroundings	33
--------------	----

## Temperature efficiency

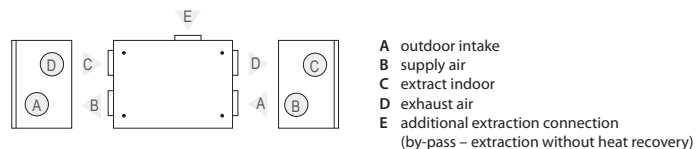
Outside temperature, °C	Winter					Summer		
	-23	-15	-10	-5	0	25	30	35
After heat exchanger, °C	13,9	15,3	16,2	17,1	18	22,5	23,4	24,3

indoor +22°C, 20 % RH

### Shown as right (R1)

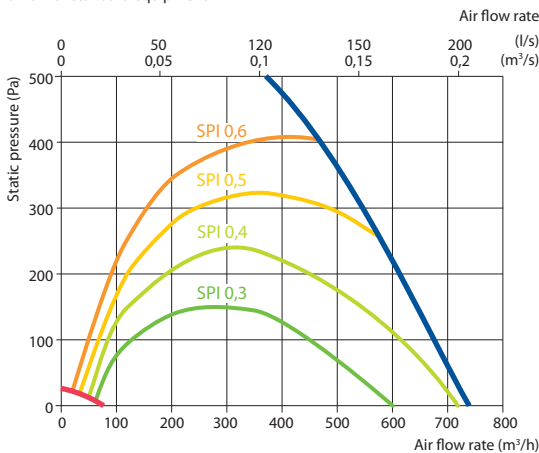


### Shown as left (L1)



## Performance

Unit with standard equipment



## Accessories

Closing damper	AGUJ-M-200+LF230/CM230
Silencer	A/D AGS-200-50-600-M
	B/C AGS-200-50-900-M
Water heater	DH-200
PPU	PPU-HW-3R-15-0,63-W2
2-way valve (heater)	VVP47.10-0,63

Water cooler	DCW-0,7-5
2-way valve (cooler)	VVP47.15-2,5
Outdoor grill	LD-200
Water heater-cooler	DHCW-200
DX cooler	DCF-0,7-5
Cooling unit	MOU-18HFN8+KA8140

